

Table of contents

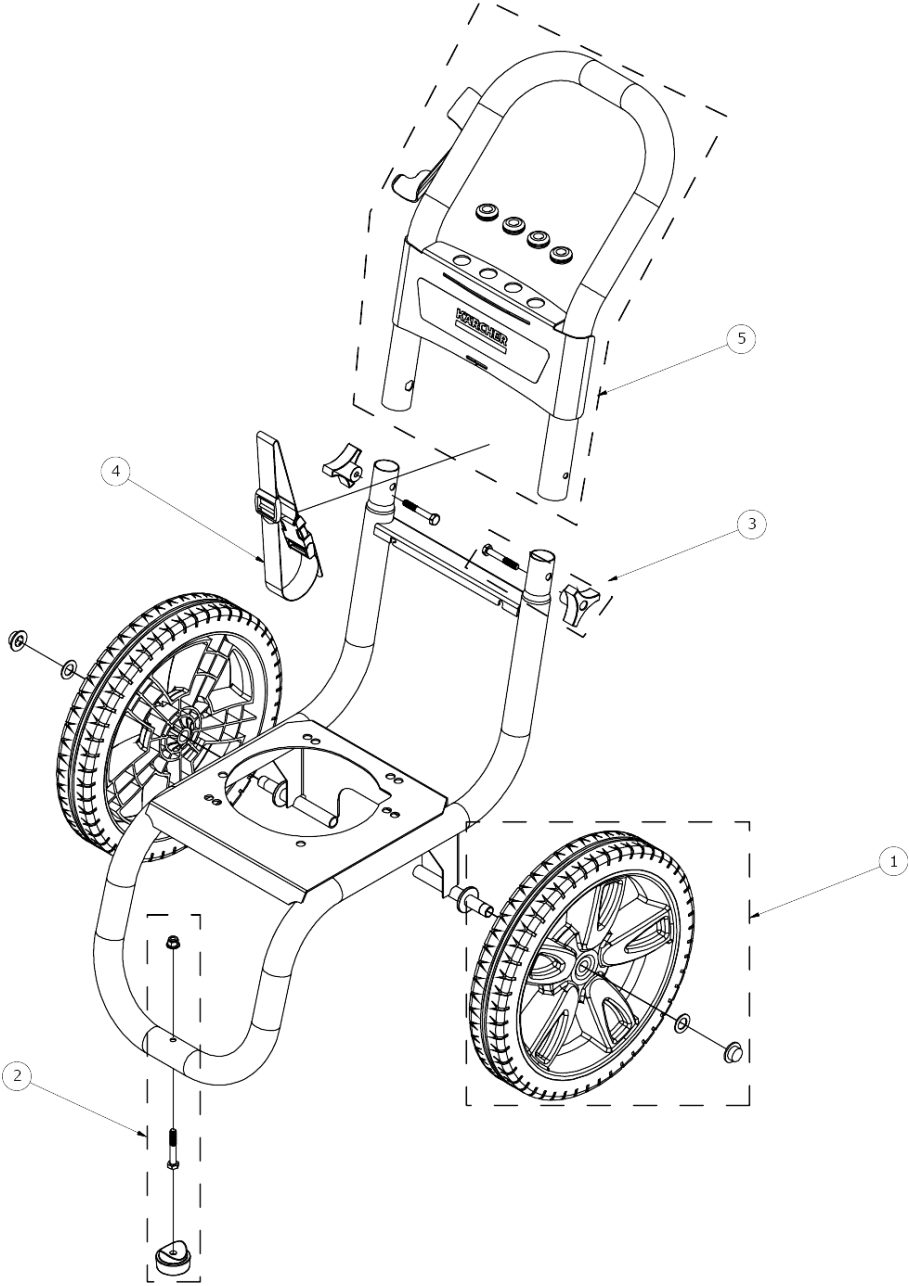
G 2700 R (1.107-331.0)	2
10 SPARE PART LIST - G2700 R	3
10 FRAME	4
20 PUMP	6
30 ENGINE	8
40 ACCESSORIES	9

G 2700 R (1.107-331.0)

POS	Description	Quantity	Unit
10	SPARE PART LIST - G2700 R	1.000	ST
20	OPERATOR'S MANUAL FOR G 2700 R	1.000	ST

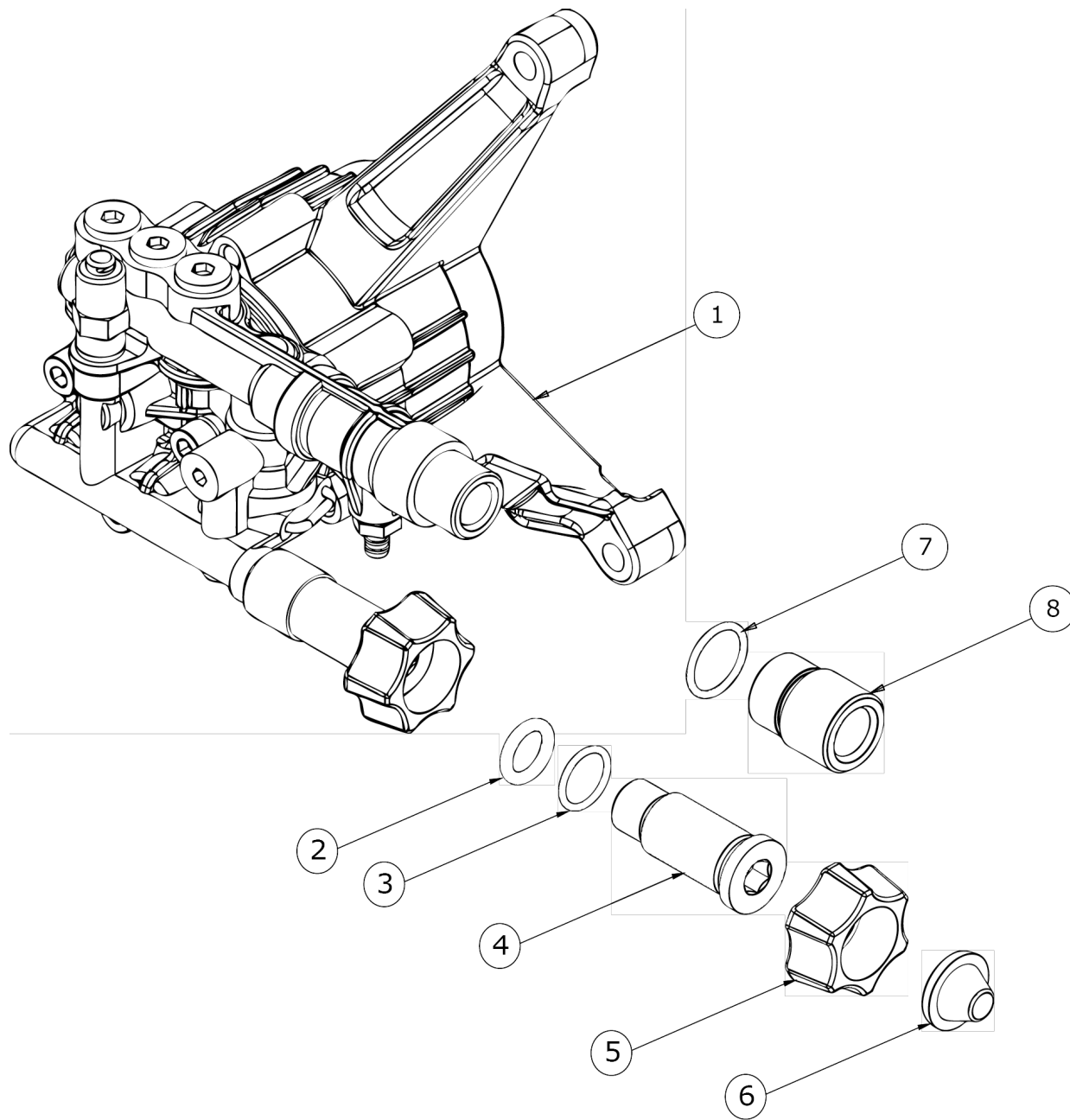
10 SPARE PART LIST - G2700 R

POS	Description	Quantity	Unit
10	FRAME	2.000	ST
20	PUMP	1.000	ST
30	ENGINE	1.000	ST
40	ACCESSORIES	2.000	ST



10 FRAME

POS	Article no.	Description	Quantity	Unit
1	9.803-864.0	SPARE WHEEL 12" CAP KIT	2.000	ST
2	9.803-865.0	SPARE RUBBER 1/4" FRAME KIT	1.000	ST
3	8.632-816.0	STRAP, ADJ. 24"	1.000	ST
4	9.803-869.0	SPARE KNOB 3PT STAR	2.000	ST
5	9.803-871.0	SPARE HANDLE VERT II	1.000	ST

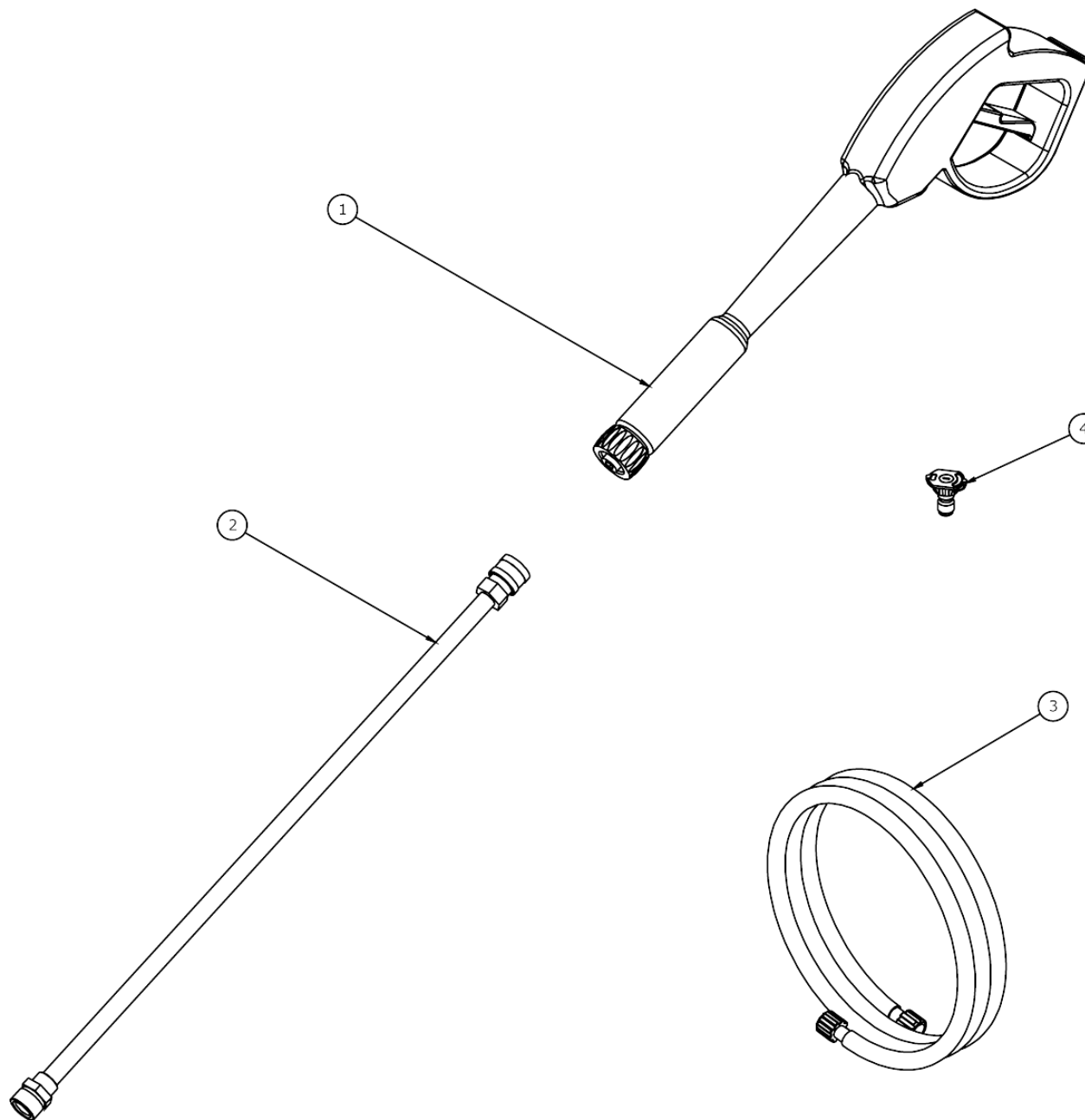


20 PUMP

POS	Article no.	Description	Quantity	Unit
1	8.756-908.0	AXIAL PUMP 2.4GPM@3000PSI VERTICAL	1.000	ST
2	9.803-861.0	O-RING 14 X 1.8	1.000	ST
3	9.803-866.0	O-RING 17 X 2	1.000	ST
4	9.803-867.0	INLET CONNECTOR	1.000	ST
5	9.803-859.0	GARDEN HOSE WATER INLET CONNECTOR	1.000	ST
6	9.803-858.0	INLET FILTER GASKET	1.000	ST
7	9.803-870.0	O-RING 17.5 X 1.8	1.000	ST
8	9.803-862.0	OUTLET CONNECTOR	1.000	ST

30 ENGINE

POS	Article no.	Description	Quantity	Unit
1	8.757-250.0	AIR FILTER INSERT KPS 196	1.000	ST
2	8.757-251.0	AIR FILTER ELEMENT KPS196	1.000	ST
3	8.757-252.0	TANK CAP KPS196	1.000	ST
4	8.757-253.0	HAND HOLD & PULL CORD KPS 196	1.000	ST
5	8.757-254.0	OIL DIP ROD	1.000	ST
6	8.757-255.0	IGNITION PLUG	1.000	ST



40 ACCESSORIES

POS	Article no.	Description	Quantity	Unit
1	9.112-012.0	AL BIT101 TRIGGER GUN	1.000	ST
2	9.112-533.0	Lance-AL Quick Connect-Male 3000 psi	1.000	ST
3	8.753-423.0	HOSE, HP DN6 25FT, 3600PSI M22	1.000	ST
4	8.756-904.0	NOZZLE, QC 4 KIT. 30 (YGWB)	1.000	ST